

Piede Inox

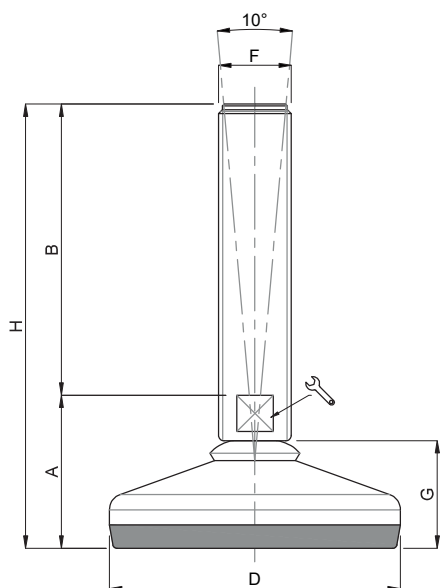
VULCANIZZATO IGIENICO

Caratteristiche: BASE VULCANIZZATA Ø 100, STELO SNODATO 10°

Features: HYGIENIC VULCANIZED BASE Ø 100, 10° ARTICULATED STEM

Martin
Levelling Components



Disponibile in
AISI 316
Available



NBR



EPDM

CODICE - CODE		DESCRIZIONE description	DIMENSIONI PRINCIPALI - MAIN DIMENSIONS								CARICO LOAD NEWTON
Gomma NBR	Gomma EPDM blu		A	B	D			F	G	H	
25100R	25100RB	M16x75	46	75	Ø 100	13	-	M16	33	121	15000
25102R	25102RB	M16x100	46	100	Ø 100	13	-	M16	33	146	15000
25104R	25104RB	M16x125	46	125	Ø 100	13	-	M16	33	171	15000
25106R	25106RB	M16x150	46	150	Ø 100	13	-	M16	33	196	15000
25108R	25108RB	M16x175	46	175	Ø 100	13	-	M16	33	221	15000
25110R	25110RB	M16x200	46	200	Ø 100	13	-	M16	33	246	15000
25120R	25120RB	M20x75	46	75	Ø 100	17	-	M20	33	121	15000
25122R	25122RB	M20x100	46	100	Ø 100	17	-	M20	33	146	15000
25124R	25124RB	M20x125	46	125	Ø 100	17	-	M20	33	171	15000
25126R	25126RB	M20x150	46	150	Ø 100	17	-	M20	33	196	15000
25128R	25128RB	M20x175	46	175	Ø 100	17	-	M20	33	221	15000
25130R	25130RB	M20x200	46	200	Ø 100	17	-	M20	33	246	15000
25132R	25132RB	M20x225	46	225	Ø 100	17	-	M20	33	271	15000
25134R	25134RB	M20x250	46	250	Ø 100	17	-	M20	33	296	15000
25150R	25150RB	M24x100	48	100	Ø 100	20	-	M24	33	148	15000
25152R	25152RB	M24x125	48	125	Ø 100	20	-	M24	33	173	15000
* 25154R	25154RB	M24x150	48	150	Ø 100	20	-	M24	33	198	15000
* 25156R	25156RB	M24x175	48	175	Ø 100	20	-	M24	33	223	15000
* 25158R	25158RB	M24x200	48	200	Ø 100	20	-	M24	33	248	15000
25160R	25160RB	M24x225	48	225	Ø 100	20	-	M24	33	273	15000
25162R	25162RB	M24x250	48	250	Ø 100	20	-	M24	33	298	15000
25180R	25180RB	M30x100	48	100	Ø 100	-	26	M30	33	148	15000
25182R	25182RB	M30x125	48	125	Ø 100	-	26	M30	33	173	15000
* 25184R	25184RB	M30x150	48	150	Ø 100	-	26	M30	33	198	15000
* 25186R	25186RB	M30x175	48	175	Ø 100	-	26	M30	33	223	15000
* 25188R	25188RB	M30x200	48	200	Ø 100	-	26	M30	33	248	15000
25200R	25200RB	M30x225	48	225	Ø 100	-	26	M30	33	273	15000
25202R	25202RB	M30x250	48	250	Ø 100	-	26	M30	33	298	15000

* Disponibile con Filettatura a passo fine. Aggiungere "/P2" al codice
Available with Thin pitch thread. Please, add "/P2" to the code.

INOX